

1201058

HEATING ELEMENT TANK 220-240V 2,4KW

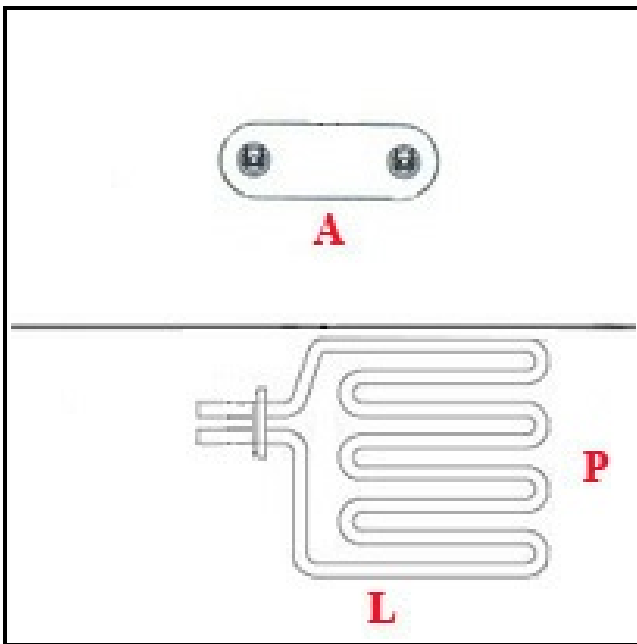
Date: 06-08-2025



ORIGINAL
OSP
SPARE PARTS

ARISTARCO

Technical data



DEPTH MM	L=140mm
WIDTH MM	P=170mm
ELEMENTS	ELEMENTI/ELEMENTS=1
SQUARE FLANGE	RETTANGOLARE/RECTANGULARE
DIAMETER mm	A=50X27mm
KILOWATT KW	KW=2,4
WATT	WATT=2400
MONOPHASE	MONOFASE/MONOPHASE
NUMBER OF POLES	POLI/POLES=2
IMMERSION HEATING ELEMENTS	IMMERSIONE/IMMERSION
EXPANSION FLANGE	A=50X27mm

Manufacturer code

ARISTARCO S.P.A.