

3111222

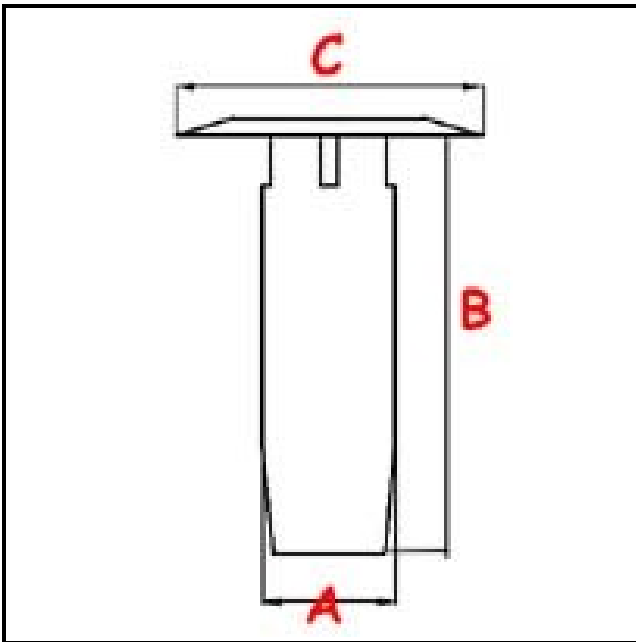
OVERFLOW PIPE \varnothing 26x277 mm

Date: 18-06-2025



ORIGINAL
OSP
SPARE PARTS

Technical data



HEIGHT MM	B=271mm
GASKET	2101397
MATERIAL	PLASTICA/PLASTIC
UPPER DIAMETER	C=39mm
LOWER DIAMETER	A=26mm

Manufacturer code

ELECTROLUX PROFESSIONAL S.P.A.